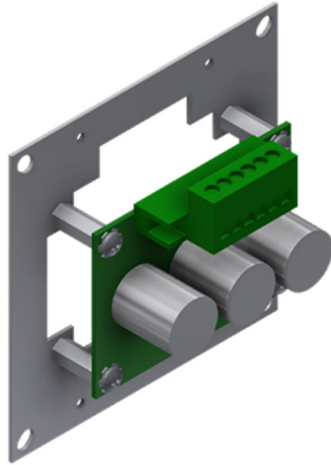


IMPULSE RELEASE MODULE (IRM)



Description

The Impulse Releasing Module (IRM) provides the primary interface between the supervised releasing circuit(s) of a Fike releasing control panel and the actuators identified in the Specifications section, which are used to release the fire suppressant agent from the container.

The IRM is equipped with three capacitors that receive a constant 24 VDC charging current from the releasing circuit of the control panel. Upon activation of the releasing circuit, the circuits output voltage polarity is reversed, causing the stored energy in the capacitors to be released to the connected actuator resulting in device activation.

Each IRM is equipped with a red LED, which when illuminated provides positive indication that the module is in the active (discharge) state or if the field wiring has been installed incorrectly. The IRM is compatible with Class A or Class B wiring.

The IRM supervises the wiring of the connected actuator by monitoring the output circuit's current draw.

Specifications

Part Number	10-2748
Current Consumption	+24V Supervisory 20.0 ma (during capacitor charging) 3.0 ma (after capacitor is charged)
	-24V Activated 37.0 ma (LED active)
Temperature	32 to 130°F (0 to 54°C) 93% max. humidity
Module Wiring	Control panel to IRM connections are supervised and power-limited Actuator connection to the IRM (IVO terminals) is supervised and power-limited
Compatible Actuation Devices	02-12728, Impulse Valve Operator (IVO)
	70-376, Impulse Energetic Actuator (1" valves)*
	70-374, Impulse Energetic Actuator (3" valves)*
	IG71-247, Universal Energetic Actuator (ProInert)*
Compatible Releasing Panels**	SHP PRO [®] Cheetah [®] Xi Cheetah [®] Xi 50
Mounting	4" square x 2.125" deep standard electrical box with 2-gang cover plate (supplied by others)

**A maximum of six IRM's, wired in parallel, can be connected to each panel's releasing circuit or releasing module

Approvals

Underwriters Laboratories (UL)
Factory Mutual (FM)
California State Fire Marshal (CSFM)
New York Certificate of Approval (COA)

For exact certification listings, please reference the respective agency web site.

This document is only intended to be a guideline and is not applicable to all situations. Information is subject to Fike's full disclaimer at <http://www.fike.com/disclaimer>.

Ordering Information

The IRM can be ordered separately or it can be ordered as part of the following kits.

P/N	Description
IVO Kit (P/N 70-279)	
02-12728	Impulse Valve Operator (IVO)
02-14263	Impulse Valve Operator Supervisor (IVOS)
10-2748	Impulse Releasing Module (IRM)
IEA Kit (P/N 70-390)	
70-374	Impulse Energetic Actuator (IEA)*
02-14263	Impulse Valve Operator Supervisor (IVOS)
10-2748	Impulse Releasing Module (IRM)

*UL Listed only.

This document is only intended to be a guideline and is not applicable to all situations.
Information is subject to Fike's full disclaimer at <http://www.fike.com/disclaimer>.
